

FLOW INDICATOR / TOTALISER

MODEL: FTX55PL

FEATURES

- q Microcontroller based
- q Analog/Pulse input
- q High accuracy
- q Membrane keyboard
- q Programmable range
- q Built-in square root extraction facility
- q Two level password protection
- q Full digital calibration via keyboard
- q Optional RS232 or RS485 serial communication interface
- q Optional Isolated Re-transmission output proportional to flow



Flow Indicator / Totaliser FTX55PL is compact and easy to use, designed for monitoring the continuous flow rate and total flow. The flow rate is displayed on the upper 4 digit LED display and the totalised flow is displayed on 8 digits on the second line. The microcontroller based design makes it more flexible and powerful compared to conventional flow totaliser. The unit is suitable for use with any flow transmitter giving pulse or analog current output. Full digital calibration is done via keyboard on front panel. The unit has inbuilt relay outputs for alarm or control application.

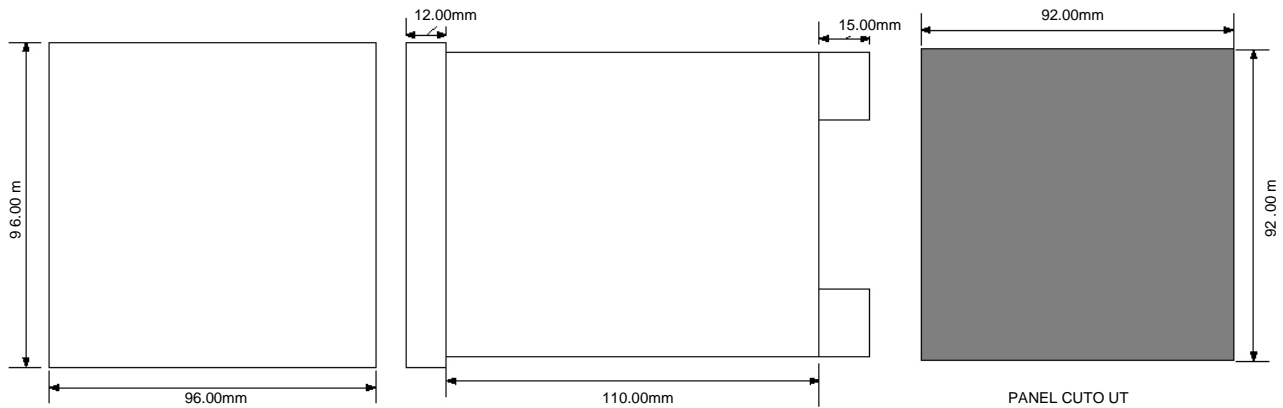
SPECIFICATIONS:

Input	4 - 20mA / 1- 5V or 24V pulse
Power supply	90 - 265V AC +/-10%, 50 Hz, 1 Ph
Measuring range	Field selectable
Display	§ 4 digit 13mm display for flow rate indication § 8 digit 8mm display for totalisation § 4 individual discrete LEDs
Flow rate	Flow rate: /sec, /min, /hr, (programmable)
Accuracy	+/- 0.1% of Span, +/- 1 digit
Alarm Hysteresis	Adjustable from keyboard
Resolution	Programmable from front panel
Output	§ 2 relays (5A/230V AC resistive max.) § 24 V DC, 30 mA field power supply § Optional 4 - 20 mA retransmission output
Communications	RS232 or RS485 serial communications port (Optional)
Square root extraction	Built-in (selectable)

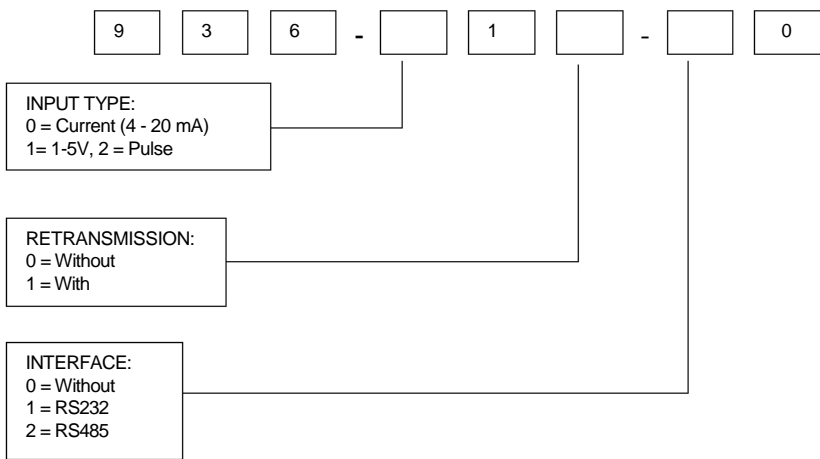
contd. specifications:

ENVIRONMENT	
Operating temperature	5 to 55 Deg.C
Operating humidity	5 to 95% RH non-condensing
Storage temperature	-10 to 70 Deg.C
ENCLOSURE	
Enclosure	Flame retardant ABS
Mounting accessories	Flush on panel
External dimensions	96(W) · 96(H) · 125(Depth behind panel) mm
Panel cutout	92 mm · 92 mm
Weight	0.5 kg. (approx.)

EXTERNAL DIMENSIONS (mm):



ORDERING CODE:



SAMPLE CODE ORDER:
936-010-00
 4-20mA input,
 Without retransmission,
 Without interface